

# MaxMotion

## PERFORMANCE DATA SHEET

Meets or exceeds MEPS, as described by the US DOE in docket 10CFR431 and NRCAN's Amendment 14

Catalogue #: **MPS-132M4FC-S3**

| HP | kW   | Voltage | S.F. @ 60Hz | EFF.  | P.F.  | Frame | Design | L.R. Amps |
|----|------|---------|-------------|-------|-------|-------|--------|-----------|
| 10 | 7.46 | 575     | 1.15        | 91.7% | 0.860 | 132M  | B      | 65        |

| 60 Hz |     |     |     |     |      |     |      |          |
|-------|-----|-----|-----|-----|------|-----|------|----------|
| FLA   |     |     |     |     |      |     | Code | F.L. RPM |
| 208   | 230 | 416 | 460 | 480 | 575  | 600 |      |          |
| /     | /   | /   | /   | /   | 9.44 | /   | H    | 1745     |

| 50 Hz |     |     |             |            |              |      |          |  |
|-------|-----|-----|-------------|------------|--------------|------|----------|--|
| FLA   |     |     | S.F. @ 50Hz | Efficiency | Power Factor | Code | F.L. RPM |  |
| 190   | 380 | 415 |             |            |              |      |          |  |
| /     | /   | /   | /           | /          | /            | /    | /        |  |

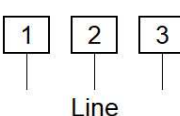
| Wgt. Lbs | PH | Duty  | Insul. Class | Amb. | Elevation       | Temp. Rise° C |
|----------|----|-------|--------------|------|-----------------|---------------|
| 200.2    | 3  | Cont. | F            | 40°C | 1000M (3300 Ft) | 54            |

| % Efficiency |       | % Power Factor |      | Torque           |      | Winding Resist. Ω | Safe Cold Start (Secs) |
|--------------|-------|----------------|------|------------------|------|-------------------|------------------------|
| Full Load:   | 91.7% | Full Load:     | 0.86 | Full Load Ft/Lbs | 30.1 |                   |                        |
| 3/4 Load:    | 92.0% | 3/4 Load:      | 0.82 | Locked Rotor %   | 260  |                   |                        |
| 1/2 Load:    | 90.9% | 1/2 Load:      | 0.71 | Break Down %     | 340  | /                 | 20                     |

| Rotor Inertia Wk2 Lb-Ft2 | Max Load Inertia Wk2 Lb-Ft2 | Shaft Material      | Frame Material | DE Bracket Type | ODE Bracket Type | Enclosure | NEMA Rating | Lead Wire Size |
|--------------------------|-----------------------------|---------------------|----------------|-----------------|------------------|-----------|-------------|----------------|
| /                        | /                           | Stainless Steel 304 |                |                 |                  | TEFC      | IP66        | 0              |

| Ball Bearings |      | Grease          | Mount Type | Orientation | Paint | Sound Pressure @ 3FT | Sound Power |
|---------------|------|-----------------|------------|-------------|-------|----------------------|-------------|
| DE            | ODE  |                 |            |             |       |                      |             |
| 6308          | 6308 | Sealed Bearings | Rigid      | Horizontal  | -     | /                    | /           |

| Inverter Duty.<br>Motor meets MG1 parts 31.4.4.2 | Constant Torque Range | Variable Torque Range | Constant HP RPM |
|--|-----------------------|-----------------------|-----------------|
|  | 10:1                  | 20:1                  | /               |

| WIRING CONNECTION DIAGRAM :  | D | Nema C (IEC L) Dimension (mm) | 565 mm |
|--|---|-------------------------------|--------|
| <p>63 - 132, Single Voltage, DOL, 3 Leads WYE Connection<br/>575 VAC 3 phase</p>  |   |                               |        |

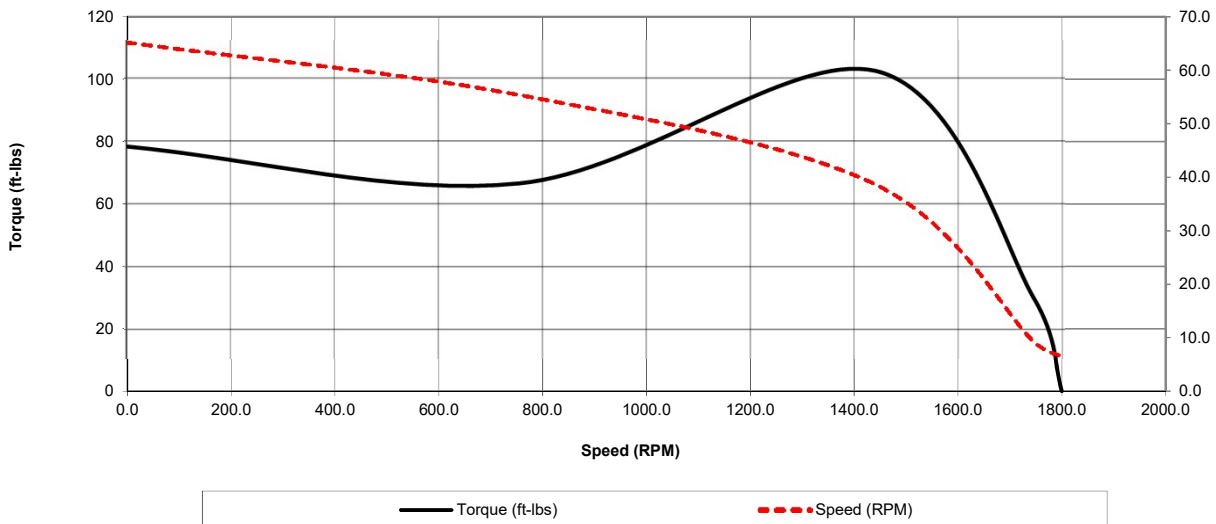
Date: 2021-11-27  
 Customer: \_\_\_\_\_  
 Contact: \_\_\_\_\_  
 Submittee: J.C. Lavallée

Catalogue #: **MPS-132M4FC-S3**

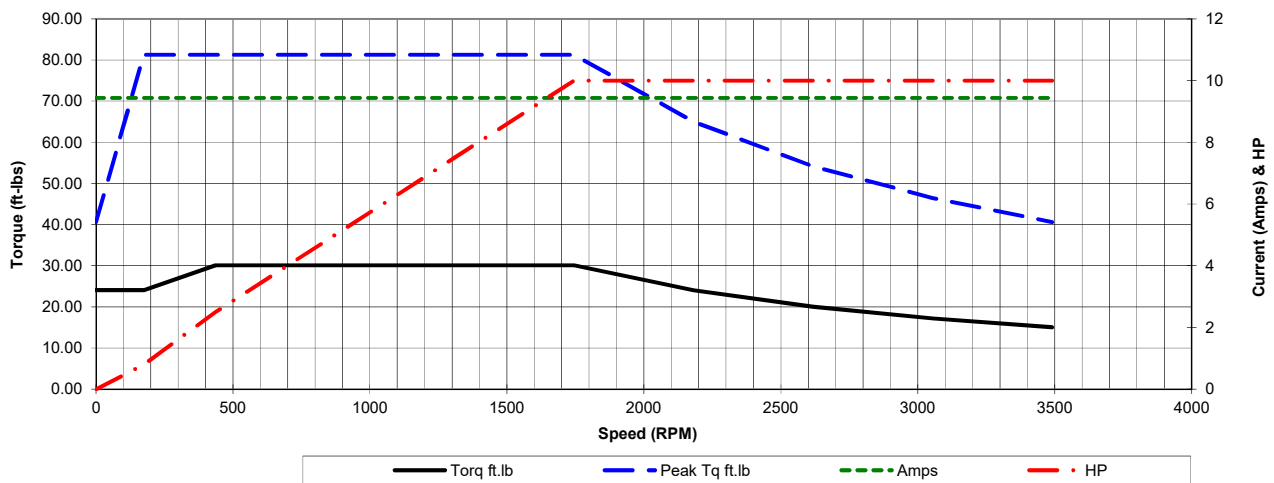
Meets or exceeds MEPS, as described by the US DOE in docket 10CFR431 and NRCa's Amendment 14

| HP              | VAC          | RPM     | Enclosure | Frame      | Frequency | Design                               | Poles   | LR Code Letter | Insulation Class | Temp. Rise °C |
|-----------------|--------------|---------|-----------|------------|-----------|--------------------------------------|---------|----------------|------------------|---------------|
| 10              | 575          | 1745    | TEFC      | 132M       | 60        | B                                    | 4       | H              | F                | 54            |
|                 | 0Hz          | 6Hz     | 15Hz      | 30Hz       | 45Hz      | 60Hz                                 | 75Hz    | 90Hz           | 105Hz            | 120Hz         |
| Amps            | 9.44         | 9.44    | 9.44      | 9.44       | 9.44      | 9.44                                 | 9.44    | 9.44           | 9.44             | 9.44          |
| RPM             | 0            | 174.5   | 436.25    | 872.5      | 1308.75   | 1745                                 | 2181.25 | 2617.5         | 3053.75          | 3490          |
| Torq ft.lb      | 24.08        | 24.08   | 30.10     | 30.10      | 30.10     | 30.10                                | 24.08   | 20.06          | 17.20            | 15.05         |
| Peak Tq ft.lb   | 40.63        | 81.26   | 81.26     | 81.26      | 81.26     | 81.26                                | 65.01   | 54.18          | 46.44            | 40.63         |
| HP              | 0            | 0.8     | 2.5       | 5.0        | 7.5       | 10.0                                 | 10.0    | 10.0           | 10.0             | 10.0          |
|                 | Locked Rotor | Pull-Up | Breakdown | Rated Load | Idle      | Duty                                 | S. F.   | Ambient        | Elevation        | dBa @ 1M      |
| Speed (RPM)     | 0.0          | 756     | 1440      | 1745       | 1800      | Continuous                           | 1.15    | 40°C           | 3,300 ft         | /             |
| Current (Amps)  | 65.0         | 55.3    | 38.7      | 9.4        | 6.7       | VFD Rating: Meets MG1 parts 31.4.4.2 |         |                |                  |               |
| Torque (ft-lbs) | 78.3         | 66.5    | 102.3     | 30.1       | 0.0       | C.T.                                 | 10:1    | V.T.           | 20:1             |               |

Motor Speed Data



Motor Torque Capability vs RPM



Date: 2021-11-27  
 Customer: \_\_\_\_\_  
 Contact: \_\_\_\_\_  
 Submittee: J.C. Lavallée

Catalogue #: **MPS-132M4FC-S3**

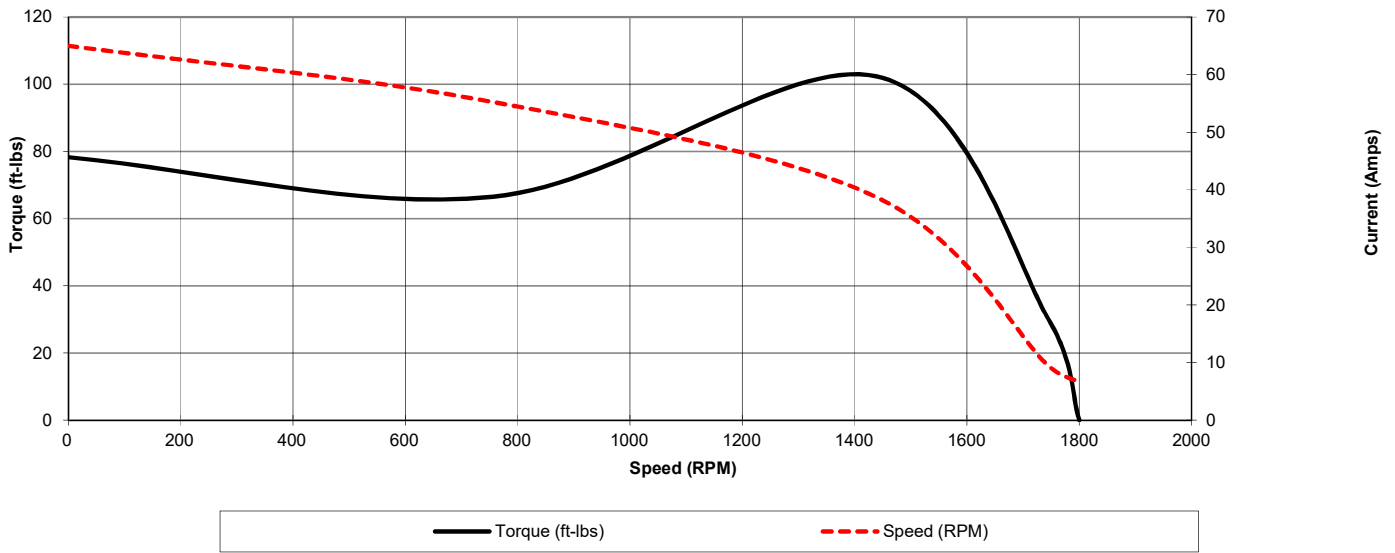
Meets or exceeds MEPS, as described by the US DOE in docket 10CFR431 and NRCAN's Amendment 14

| HP | VAC | RPM  | Enclosure | Frame | Frequency | Design | Poles | LR Code Letter | Insulation Class | Temp. Rise °C |
|----|-----|------|-----------|-------|-----------|--------|-------|----------------|------------------|---------------|
| 10 | 575 | 1745 | TEFC      | 132M  | 60        | B      | 4     | H              | F                | 54            |

| Load %      | 0%   | 25%     | 50%    | 75%     | 100%  | 125%    | 150%   |
|-------------|------|---------|--------|---------|-------|---------|--------|
| Amps        | 6.70 | 7.17    | 7.66   | 8.31    | 9.44  | 11.80   | 14.16  |
| Torq ft/lbs | 0    | 7.35    | 14.82  | 22.40   | 30.10 | 37.92   | 45.87  |
| RPM         | 0    | 1786.25 | 1772.5 | 1758.75 | 1745  | 1731.25 | 1717.5 |
| Eff         | 0    | 79.70   | 90.87  | 92.00   | 91.70 | 90.46   | 87.87  |
| PF          | 0    | 51.6    | 71.466 | 82.13   | 86.0  | 87.7    | 90.3   |

|                 | Locked Rotor | Pull-Up | Breakdown | Rated Load | Idle   | Duty  | S. F. | Ambient | Elevation | dBA @ 1M |
|-----------------|--------------|---------|-----------|------------|--------|---|-------|---------|-----------|----------|
| Speed (RPM)     | 0            | 756     | 1440      | 1745       | 1800   | Continuous                                  | 1.15  | 40°C    | 3,300 ft  | /        |
| Current (Amps)  | 65           | 55.3    | 38.7      | 9.44       | 6.7024 | <b>VFD Rating: Meets MG1 parts 31.4.4.2</b> |       |         |           |          |
| Torque (ft-lbs) | 78.25        | 66.52   | 102.33    | 30.10      | 0.0    | C.T.  | 10:1  | V.T.    | 20:1      |          |

Motor Speed Data



Motor Load Data

